

Extractions Arms

Hood with 1-joint extension arm and motorized hoist

When using a hood is the right solution, it may require flexibility in terms of placement. In these situations it is possible to place the hood on an extension arm.

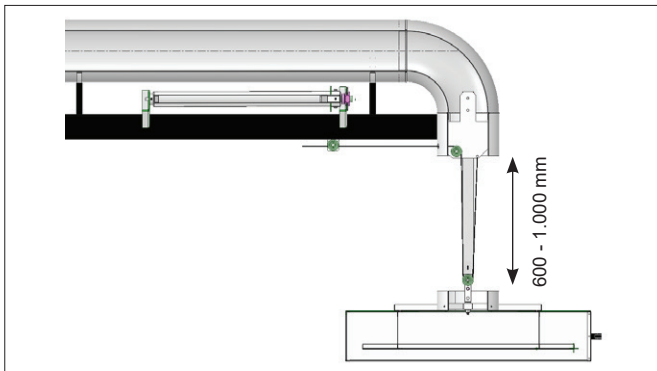
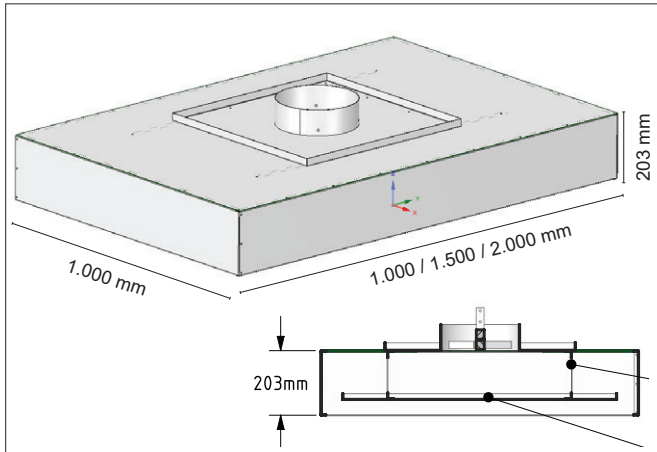
By swinging the extension arm with the hood, it can be placed just above the extraction point.

In some cases, there is a need to raise and lower the hood. For this purpose, a motorized hoist with a migration from 600 to 1,000 mm is available. The motorized hoist comes with a remote control.

The hood comes in 3 sizes.



Dimensions, hood



Hood with extension arm and motorized hoist. Note: The motor may look differently.

Ordering table

| Art. No. | Description |
|----------|--|
| 02-220 | Hood 1x1m with 1-joint extension and motorized hoist, 600 - 1.000 mm migration |
| 02-221 | Hood 1x1,5m with 1-joint extension and motorized hoist, 600 - 1.000 mm migration |
| 02-222 | Hood 1x2m with 1-joint extension and motorized hoist, 600 - 1.000 mm migration |
| 02-223 | Special extension and motorized hoist, without hood |

Dimensions, special extension

