

Filter

GeoFilter GFC

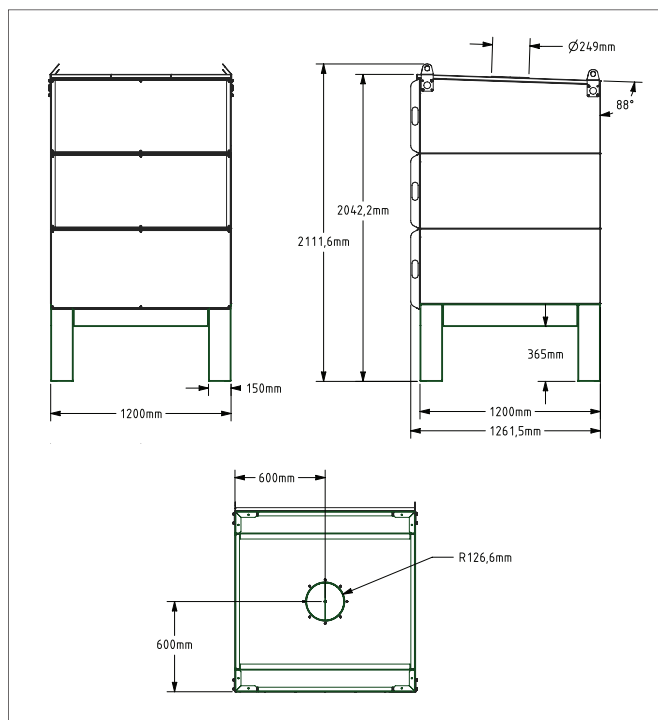
Geovent GFC is a filter unit for cleaning return air, intake air or circulated air to remove toxic gases, odours, aerosols, VOCs etc. from industrial production processes. The air passes through the activated carbon pellets, which are housed in a robust filter basket. This cleans the air of the unwanted substances.

The cylindrical shape of the carbon pellets and their high porosity make these carbon pellets effective for the purpose. At the same time, minimal pressure loss is ensured during purification. The properties of the activated carbon determines which substances are purified.

For example, the pellets can be impregnated to eliminate harmful substances such as mercury.

Geovent GFC is an economical and effective solution when concentrations of harmful substances are not excessive. At the same time less energy is used for filtration.

Dimensions



Modell/ Dimension [mm]	Height [mm]	Width [mm]	Depth [mm]
GeoFilter GFC-75	1612	900	962
GeoFilter GFC-150	2112	900	962
GeoFilter GFC-225	2112	1050	1112
GeoFilter GFC-300	2112	1200	1262



GeoFilter GFC-300

The GFC unit is available in 4 sizes with a capacity of 75 to 300 kg of activated carbon. The filter unit can be installed alone, several in parallel or several in series. Installation and choice of carbon type depends on the purpose of the purification and other determining factors surrounding the application. The GFC unit is made of galvanized steel plate, which protects against corrosion. The filter unit can be placed indoors or outdoors, but must be protected from harsh weather.

Ordering table

Art. No.	Description
15-580	GeoFilter GFC-75
15-581	GeoFilter GFC-150
15-582	GeoFilter GFC-225
15-583	GeoFilter GFC-300
	Filter basket-75
	Filter basket-150
	Filter basket-225
	Filter basket-300
	Active Carbon