

ATEX

Explosion retension valve

An explosion involves not only the immediate processed material, but can also propagate to the rest of the process. This propagation can be avoided if the affected processed material is quickly isolated by a non-return valve.

The non-return valve is designed to separate the filter from the plant. It is a simple and effective system that is easy to install, without electronics which requires no electrical connections, practically no maintenance and with very low pressure loss.

Our non-return valve is an excellent ATEX certified Safety system for the compartmentalization of an explosion and is suitable for use in Ex zone 21 (ext.) and up to Ex zone 20 (int.).

Advantages

- Economically suitable solution for security against an explosion
- Completely mechanical requiring practically no maintenance
- NO power consumption
- Simple assembly, operation and maintenance
- Low pressure losses
- High pressure resistance
- Applicable for dust St1 organic and nonmetallic
- Short installation distance

Material

Body in steel M16SO3

Closing flap in HB 400 (HARDOX)

Surface treatment: Powder coated RAL 5010.

Type

Welded plates with welded FA flanges.

Other information

- Series includes diameters \varnothing 200 up to \varnothing 600
- Conformity according to: EN 16447: 2014

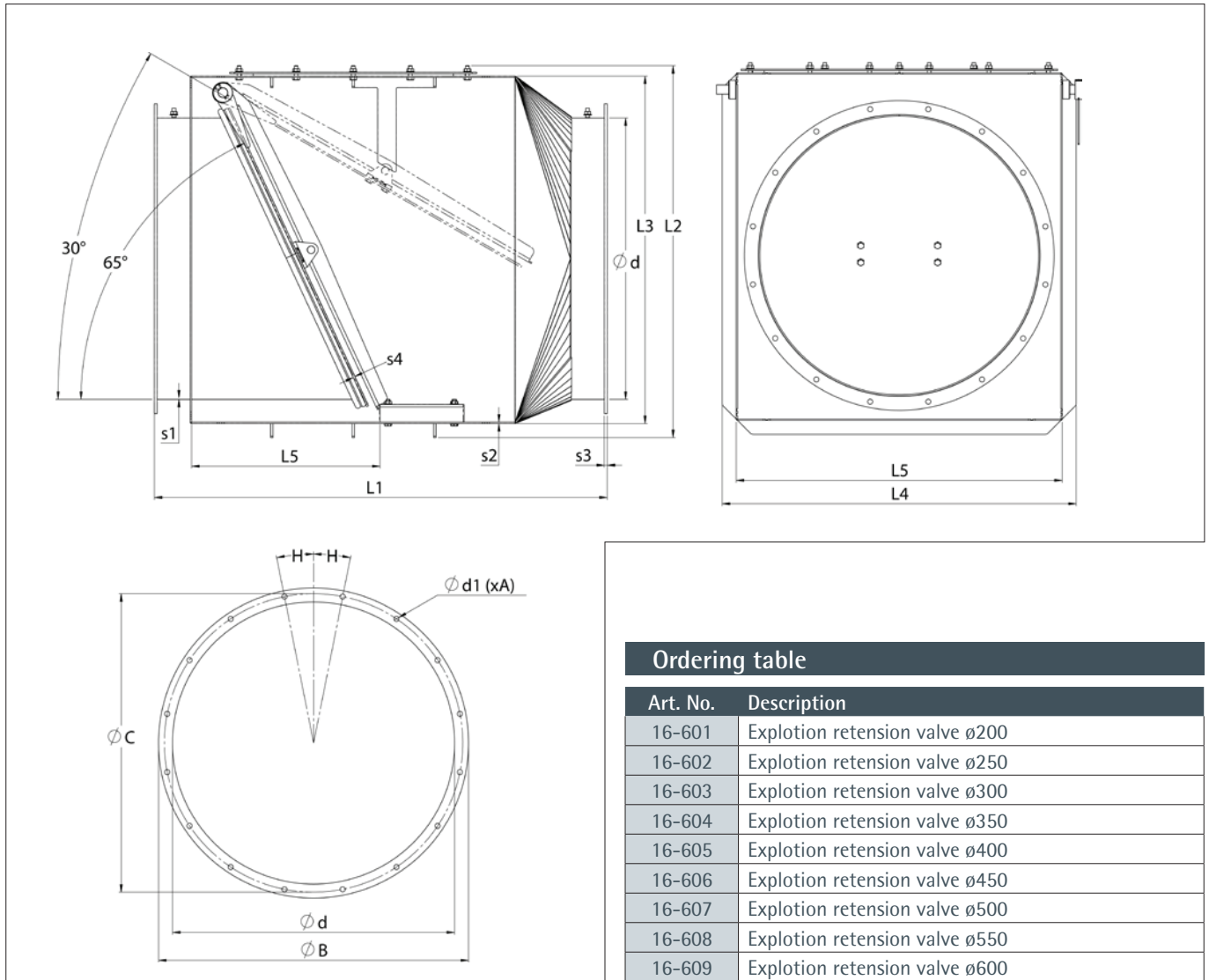


Certified ATEX non-return valve

- Certification number: FTZU 14 ATEX 0111X
FTZU 16 ATEX 0003X
- ATEX norm 114 : 2014/34/EC
- Exterior zone certification: 21-22
- Interior zone certification: 20-21-22
- Level of protection: St1 (organic and nonmetallic) up to 200 bar m/s
- Kst max.: 200 bar.m.s-1
- Pred,max.: 0,5 bar
- Maximum air speed: 30 m/s
- Use: Indoors or outdoors
- Min. / Max installation distance from filter \varnothing 200 to 400: 2 m / 7 m
- Min. / Max installation distance from filter \varnothing 450 to 600: 3 m / 7 m
- Max. dust concentration in duct: Without limits
- Only to be used in horizontal ducting
- Temperature range: -20°C to +60°C.

Velocity m/s	\varnothing 200 Pa	\varnothing 250 Pa	\varnothing 300 Pa	\varnothing 350 Pa	\varnothing 400 Pa	\varnothing 450 Pa	\varnothing 500 Pa	\varnothing 550 Pa	\varnothing 600 Pa
10	340	340	335	330	325	320	315	310	305
20	380	380	380	380	380	380	380	380	380
25	400	410	420	430	435	445	455	460	470
30	650	635	620	610	595	580	570	555	540

Dimensions



Ordering table

Art. No.	Description
16-601	Explosion retention valve ø200
16-602	Explosion retention valve ø250
16-603	Explosion retention valve ø300
16-604	Explosion retention valve ø350
16-605	Explosion retention valve ø400
16-606	Explosion retention valve ø450
16-607	Explosion retention valve ø500
16-608	Explosion retention valve ø550
16-609	Explosion retention valve ø600

Dimensions

Ø d mm	Art. No.	L1 mm	L2 mm	L3 mm	L4 mm	L5 mm	S1 mm	S2 mm	S3 mm	S4 mm	ØB mm	ØC qty	Ød1 (°)	A kg	H	Weight
200	16-601	571	397	334	436	334	2	2	6	3	255	235	9	12	15	24.00
250	16-602	647	518	466	500	406	3	3	6	3	305	285	9	12	15	47.00
300	16-603	647	518	466	500	406	3	3	6	3	355	336	9	12	15	49.00
350	16-604	750	618	566	600	506	3	3	6	3	415	389	11	12	15	68.00
400	16-605	750	618	566	600	506	3	3	6	3	465	439	11	16	11.25	70.00
450	16-606	857	718	666	700	606	3	3	6	4	515	489	11	16	11.25	91.00
500	16-607	857	718	666	700	606	3	3	6	4	565	540	11	16	11.25	94.00
550	16-608	972	798	746	785	697	3	3	6	4	615	590	11	16	11.25	115.00
600	16-609	972	798	746	785	697	3	3	6	4	665	640	11	16	11.25	117.00