

Extraction arm

ASA-HV50 and MINI-HV50 Extraction arm

Geovent ASA-HV50 and MINI-HV50 extraction arm for high vacuum systems is suitable for welding fumes, abrasive dust, fumes etc. Easy and healthy use for the operator is in focus with easy placement of the arm, good ergonomics, and efficiency. The hose is mounted on the outside of the support arm, which can easily be placed in any desired position. The arm is made of 3 joints and 2 swivel joints. Available in lengths of Mini: 1 m and 1,5 m ASA: 2, 3 and 4 m (ASA). With an extension arm the range can be extended to up to 8 m. The hose is GeoFlex High $\varnothing 50$ mm with a capacity of 100 - 200 m³/h.

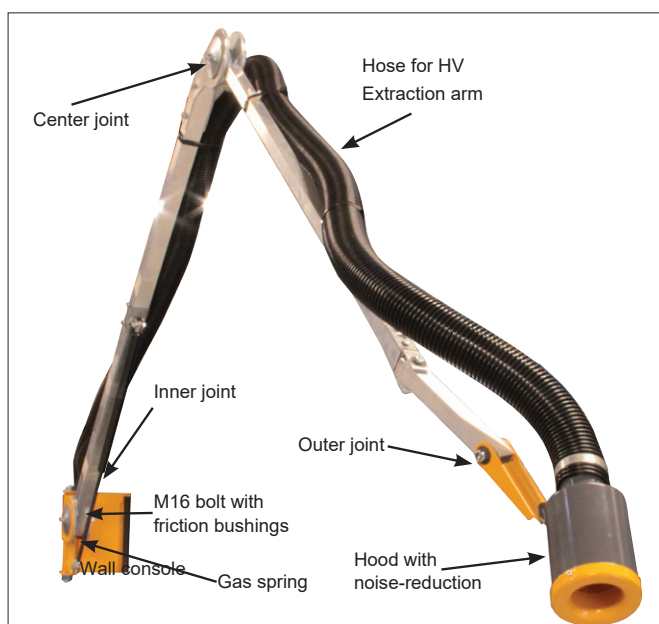
The arm is designed with a wall bracket in powder-coated steel. The console can rotate 270°.

The hood is especially for HVU extraction. Equipped with noise-reduction and an integrated handle and it can be rotated in all conceivable positions. The hood is made of coated steel.

The hose is black GeoFlex High hose with a temperature range from -40°C to + 60°C.

The arm is made of 25x25 mm aluminum tube and inner arm is made of 35x35 mm aluminum tube. These are connected via joints with friction discs and disc springs. The inner arm is equipped with gas damper.

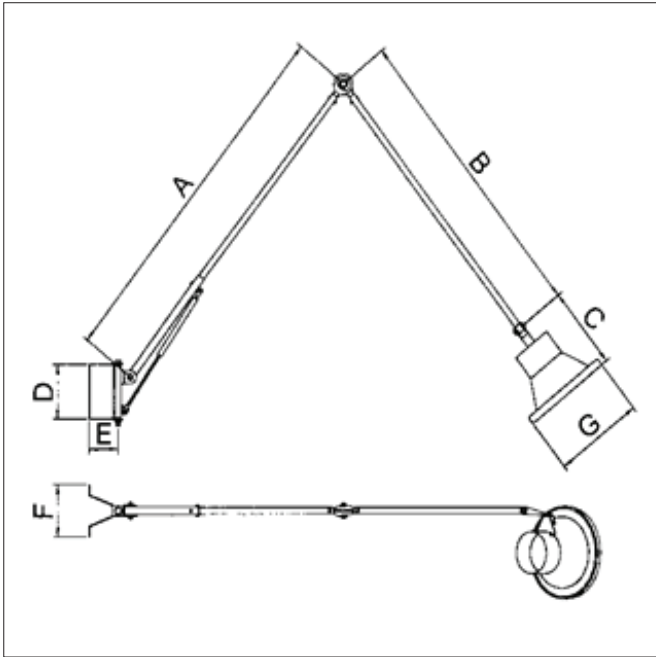
Capacity is up to 200 m³/h.



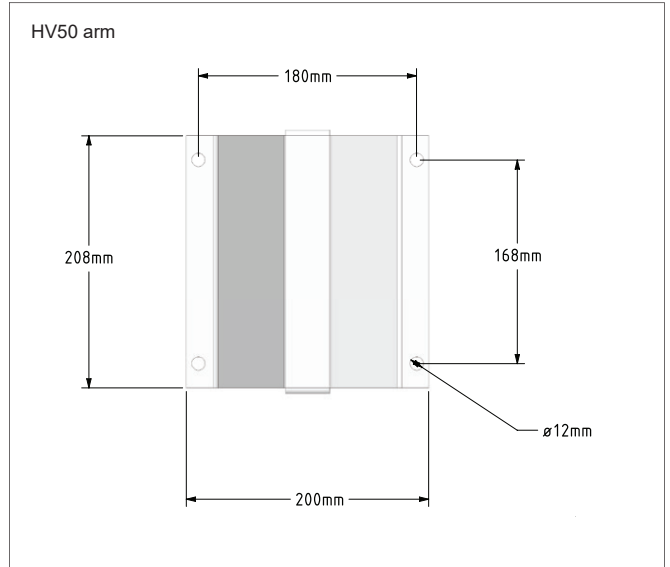
Ordering table

Art. No.	Description
74-480	ASA-HV50 Extraction arm 2 m
74-481	ASA-HV50 Extraction arm 3 m
74-482	ASA-HV50 Extraction arm 4 m
74-483	MINI-HV50 Extraction arm 1 m
74-484	MINI-HV50 Extraction arm 1,5 m
74-485	HV50 hood with magnet

Dimensions



Dimensions - Wall



Dimensions for ASA-HV50

Arm-length	A	B	D	E	F
Arm 2 m	920 mm	680 mm	206 mm	120 mm	200 mm
Arm 3 m	1420 mm	1180 mm	206 mm	120 mm	200 mm
Arm 4 m	1870 mm	1710 mm	206 mm	120 mm	200 mm

Dimensions for MINI-HV50

