

## Filter accessories

# Spark arrestor

With Geovent spark arrestor installed in the pipe system, the risk of fire in the filter is reduced, as any sparks are captured before they reach the filter.

Geovent spark arrestor can be mounted quickly and easily, both in new and existing pipe systems.

The spark arrestor can be easily fitted into installations with other Geovent products.

It is fitted with clamps and can therefore be easily dismantled and cleaned.

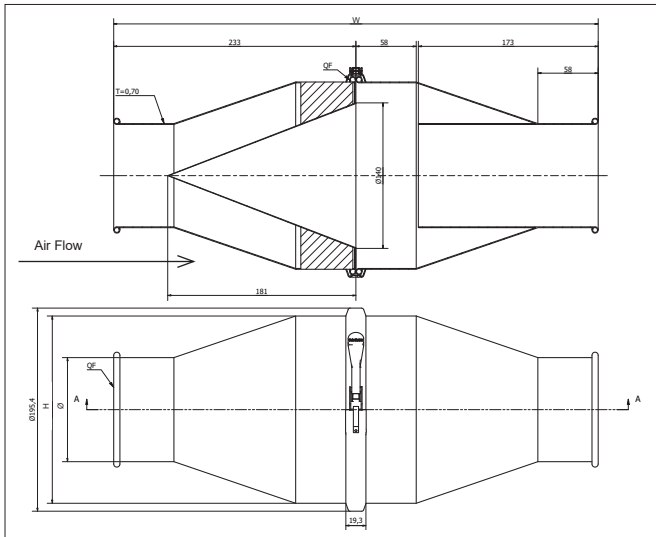
The function of the spark arrestor is based on a simple principle - the air flow is slowed down and thus the sparks cool down and disappear.

**IMPORTANT:** The spark arrestor must be mounted horizontally.

### Recommended channel distance:

At least 10 times the diameter from cyclone / collector.

### Dimensions



Ø mm	W mm	H mm	Pressure drop at 15 m/s	Weight kg
100	466	180	212 Pa	2.8
125	504	224	212 Pa	3.2
160	616	315	224 Pa	3.7
200	606	350	274 Pa	5.0
250	606	400	299 Pa	5.9
315	676	500	336 Pa	6.8
400	766	630	361 Pa	7.3



Spark arrestor

### Ordering table

Art. No.	Description
15-660	Spark arrestor ø100 mm, 0,7mm, galvanized
15-661	Spark arrestor ø125 mm, 0,7mm, galvanized
15-662	Spark arrestor ø160 mm, 0,7mm, galvanized
15-663	Spark arrestor ø200 mm, 0,7mm, galvanized
15-664	Spark arrestor ø250 mm, 0,7mm, galvanized
15-665	Spark arrestor ø315 mm, 0,7mm, galvanized
15-666	Spark arrestor ø400 mm, 0,7mm, galvanized
15-667	Spark arrestor ø450 mm, 0,9mm, galvanized
15-668	Spark arrestor ø500 mm, 0,9mm, galvanized
15-669	Spark arrestor ø560 mm, 0,9mm, galvanized
15-670	Spark arrestor ø630 mm, 0,9mm, galvanized
15-671	Spark arrestor ø710 mm, 0,9mm, galvanized

### Spark arrest main benefits are:

- Supplementary fire prevention for dust collection systems.
- Simple and economical solution.
- Quick, easy installation and cleaning.
- There are no moving parts in the spark arrestor.
- No electricity needs to be connected.